



### GTKS Series

Single-phase variable-speed pressure boosters with pressure transducer control. Connected to electric pumps BG, CA, CEA, HM and SV.

#### SPECIFICATIONS

**Number of pumps:** 2

**Delivery:** up to 16 m<sup>3</sup>/h

**Head:** up to 100 m

**Electric supply panel voltage:**

1 x 230 V 50 Hz (single-phase)

**Power:** 2 x 1.1 kW

**Motor starting:** variable frequency operation

**Temperature of pumped liquid:**

0°C to +40°C

**Pump type:** horizontal and vertical

#### MATERIALS

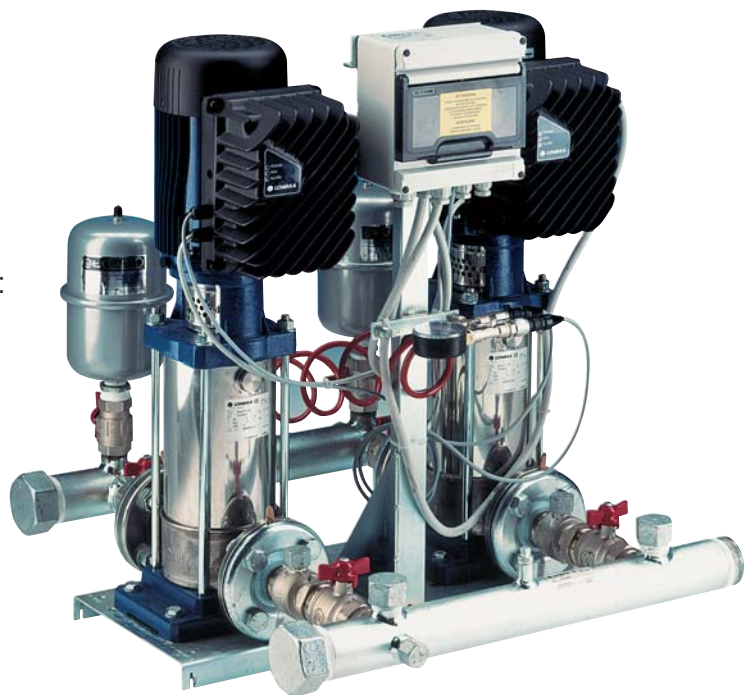
**Pump:** Stainless steel

**Manifolds:** Galvanised AISI 304

**Base:** Galvanised

#### PRODUCT APPLICATIONS AND CHARACTERISTICS

- Easy to install
- Trouble-free servicing
- Pressure transducer control (one per pump)
- Compact solution for residential use
- Constant pressure
- Water supply guaranteed if one pump fails
- Protection against dry running
- Automatic switching
- Vibration dampers under base
- Plastic control panel IP55
- Unit factory assembled, calibrated and tested



For a complete list of technical information, consult [www.lowara.com](http://www.lowara.com)

*Engineered for life*



## General Catalogue

### GTKS SERIES OF PRESSURE BOOSTERS WITH 2 HORIZONTAL PUMPS HYDRAULIC PERFORMANCE TABLE AT 50 Hz

PUMP TYPE	RATED POWER kW	Q = DELIVERY											
		l/min	0	20	40	60	80	100	120	130	140		
		m <sup>3</sup> /h	0	1,2	2,4	3,6	4,8	6	7,2	7,8	8,4		
H = TOTAL HEAD IN COLUMN OF WATER (METRES)													
2 x BG7	2 x 0,75	45,4		38,1	34,8	31,7	28,6	25,6					
2 x BG11	2 x 1,1	53,2		45,8	42,5	39,5	36,5	33,5	31,9	30,3			

PUMP TYPE	RATED POWER kW	Q = DELIVERY											
		l/min	0	40	60	80	100	120	140	160	200	240	
		m <sup>3</sup> /h	0	2,4	3,6	4,8	6	7,2	8,4	9,6	12	14,4	
H = TOTAL HEAD IN COLUMN OF WATER (METRES)													
2 x 2HM3ZT	2 x 0,3	23,8	21,4	19,7	17,6	15,2	12,5	9,4					
2 x 2HM5ZT	2 x 0,55	46,8	42,1	38,8	34,9	30,4	25,3	19,6					
2 x 2HM7ZT	2 x 0,75	58,5	53,2	49,5	44,9	39,5	33,2	25,8					
2 x 4HM5ZT	2 x 0,55	35,4			28,9	27,2	25,4	23,6	21,6	17,2	12,1		
2 x 4HM9ZT	2 x 0,9	60,7			51,2	48,6	45,9	42,9	39,7	32,4	23,6		

PUMP TYPE	RATED POWER kW	Q = DELIVERY													
		l/min	0	60	80	120	160	200	240	280	320	360	400	500	600
		m <sup>3</sup> /h	0	3,6	4,8	7,2	9,6	12	14,4	16,8	19,2	21,6	24	30	36
H = TOTAL HEAD IN COLUMN OF WATER (METRES)															
2 x CEA 80/5	2 x 0,75	32	30,0	29,3	27,4	24,7	21,0								
2 x CEA 120/5	2 x 0,9	31,8			28,2	26,5	24,6	22,4	20,0	17,3					
2 x CEA 210/3	2 x 1,1	21						19,7	19,3	19,0	18,5	18,0	16,5	14,4	

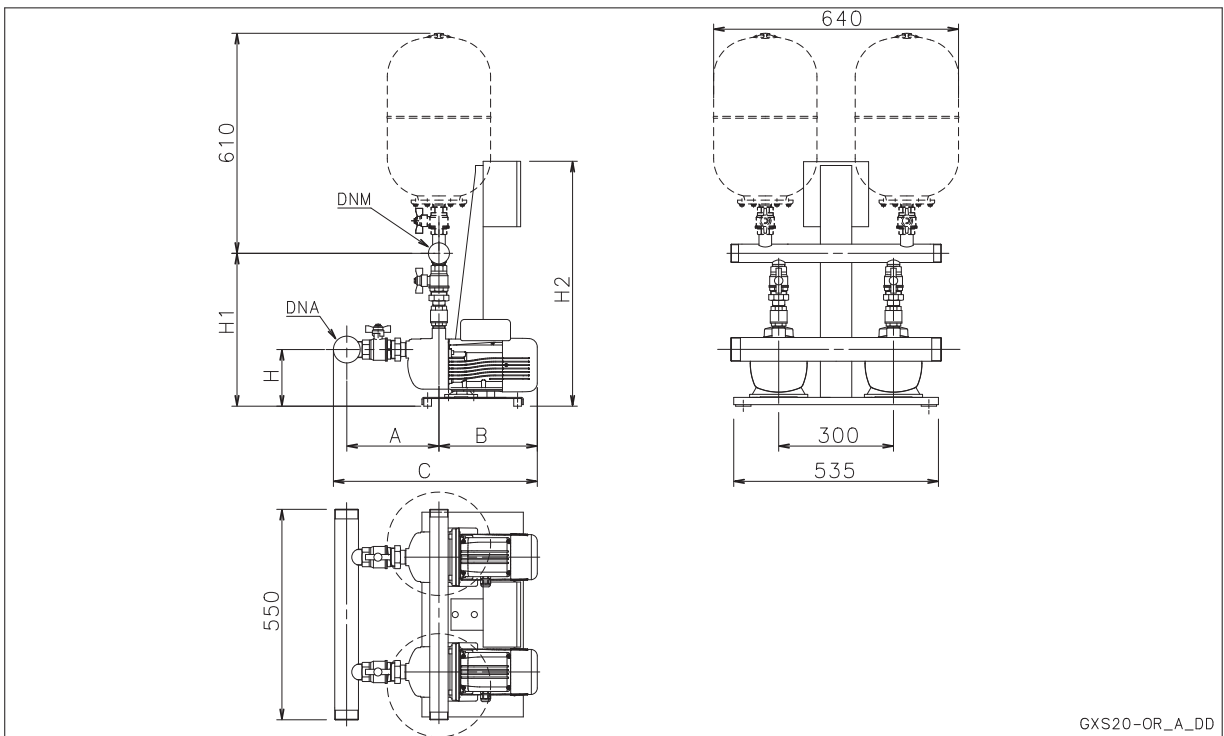
PUMP TYPE	RATED POWER kW	Q = DELIVERY												
		l/min	0	60	80	100	120	140	160	200	240	300	360	420
		m <sup>3</sup> /h	0	3,6	4,8	6	7,2	8,4	9,6	12	14,4	18	21,6	25,2
H = TOTAL HEAD IN COLUMN OF WATER (METRES)														
2 x CA 70/33	2 x 0,75	42,9	38,8	36,9	34,6	31,7	28,2	23,9						
2 x CA 70/44	2 x 1,1	53,3	49,5	47,5	44,8	42,0	38,0	34,0						

PUMP TYPE	RATED POWER kW	Q = DELIVERY												
		l/min	0	40	60	80	100	120	140	200	240	266	300	334
		m <sup>3</sup> /h	0	2,4	3,6	4,8	6	7,2	8,4	12	14,4	16	18	20
H = TOTAL HEAD IN COLUMN OF WATER (METRES)														
2 x SV206F07T	2 x 0,75	64,0	56,0	51	46	39	31,0	22,0						
2 x SV208F11T	2 x 1,1	85,5	75	68	61	51,5	41,5	30						
2 x SV404F07T	2 x 0,75	40			34	32	30,5	29	21	15	10			
2 x SV407F11T	2 x 1,1	70			59,5	56,0	53,0	51,0	37	26	18			

g20gtps-2p50\_a\_th



### GTKS20 SERIES 2-PUMP PRESSURE BOOSTER UNIT HORIZONTAL ELECTRIC PUMPS WITH NON-RETURN VALVE ON DELIVERY SIDE



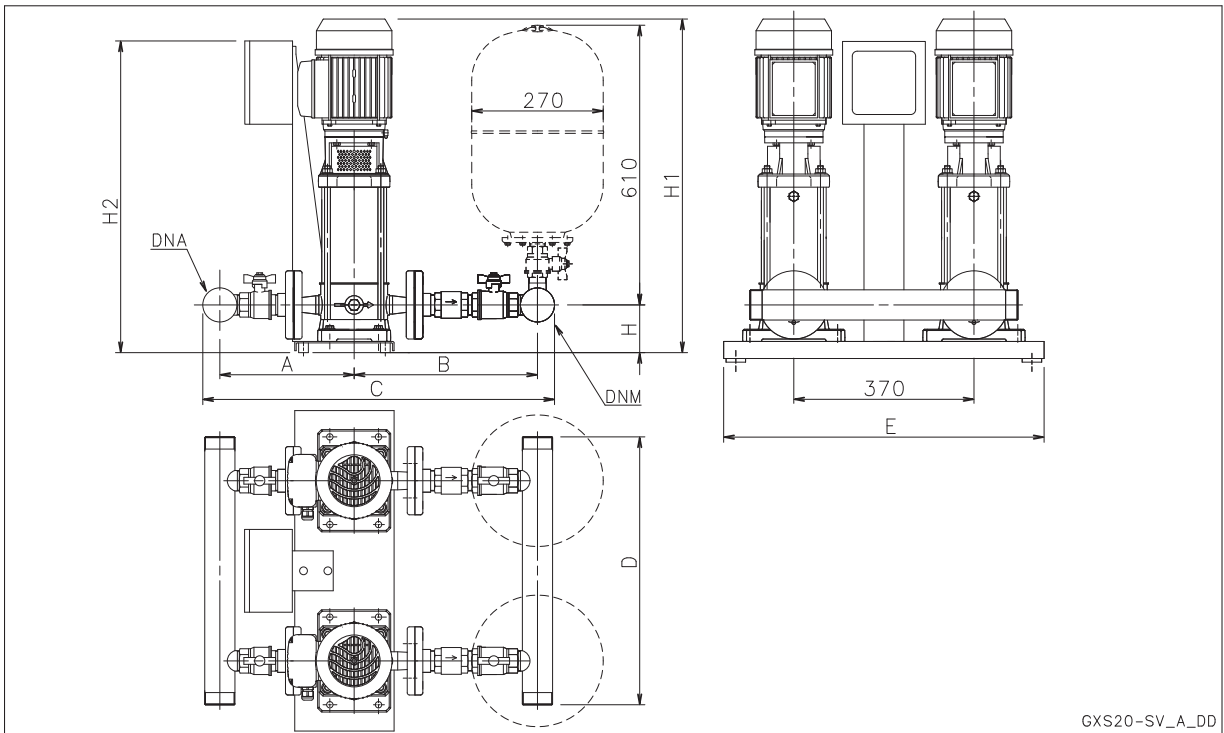
GX S20-OR\_A\_DD

GTKS 20	DNA	DNM	A		B	C		H	H1		H2
			STD / UE	A304		STD / UE	A304		STD / UE	A304	
BG7	R 2"	R 1 1/2"	214	299	311	555	640	189	440	501	640
BG11	R 2"	R 1 1/2"	214	299	356	600	685	189	440	501	640
2HM3ZT	R 2"	R 1 1/2"	241	326	249	520	605	149	399	460	640
2HM5ZT	R 2"	R 1 1/2"	291	376	249	570	655	149	399	460	640
2HM7ZT	R 2"	R 1 1/2"	316	401	263	609	694	149	399	460	640
4HM5ZT	R 2"	R 1 1/2"	266	351	249	545	630	149	399	460	640
4HM9ZT	R 2"	R 1 1/2"	316	401	308	654	739	141	391	452	640
CEA80/5	R 2"	R 1 1/2"	196	281	274	500	585	132	438	499	640
CEA120/5	R 2"	R 2"	196	281	274	500	585	132	476	505	640
CEA210/3	R 2" 1/2	R 2 1/2"	243	318	331	612	687	132	468	602	640
CA70/33	R 2"	R 1 1/2"	276	361	252	558	643	128	452	513	640
CA70/44	R 2"	R 1 1/2"	276	361	252	558	643	128	452	513	640

gtks20\_or\_b\_td



### GTKS20 SERIES 2-PUMP PRESSURE BOOSTER UNITS VERTICAL ELECTRIC PUMPS WITH NON-RETURN VALVE ON DELIVERY SIDE



6

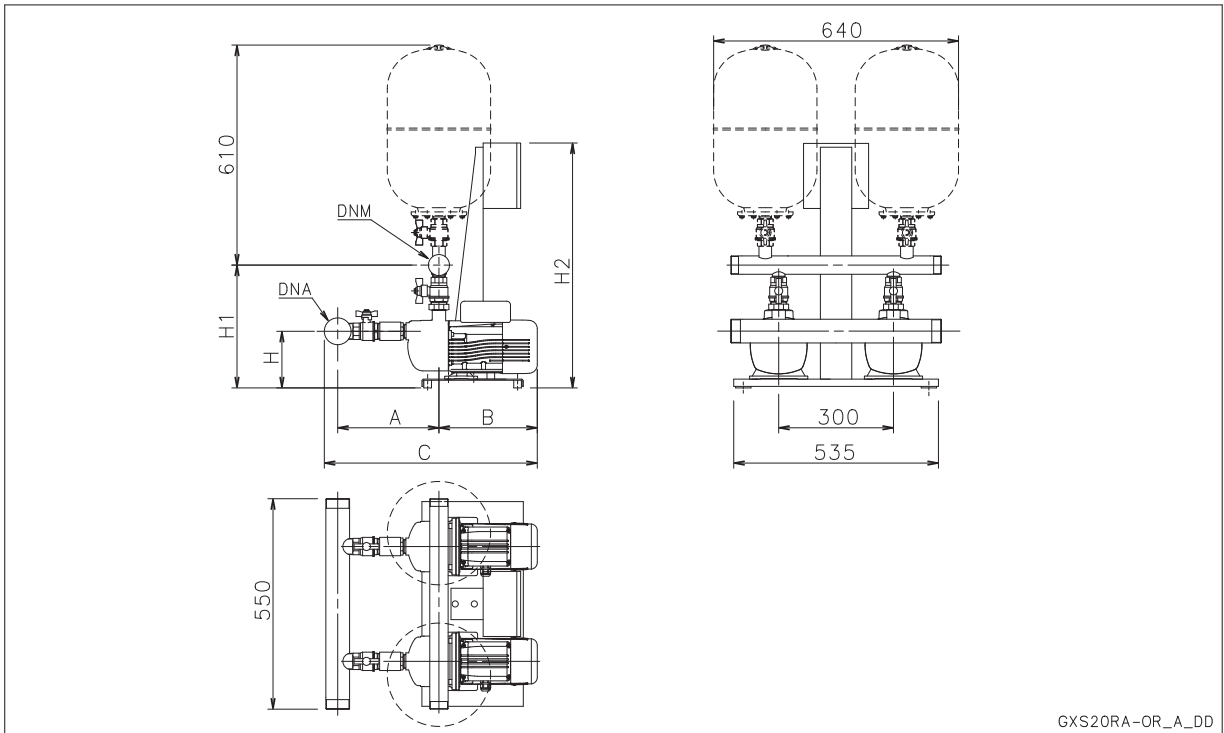
GTKS 20	DNA	DNM	A		B		C		D	E	H	H1	H2
			UE	A304	UE	A304	UE	A304					
SV206F07T	R 2"	R 2"	252	301	321	346	633	707	610	658	98	644	640
SV208F11T	R 2"	R 2"	252	301	321	346	633	707	610	658	98	731	640
SV404F07T	R 2"	R 2"	265	311	328	431	653	802	610	658	98	594	640
SV407F11T	R 2"	R 2"	265	311	328	431	653	802	610	658	98	706	640

gtxs20\_sv\_a\_td

The standard versions of GTKS20 units with vertical electric pumps feature stainless steel manifolds and are of the same size as the EU version.



### GTKS20 RA SERIES OF 2-PUMP PRESSURE BOOSTER UNITS HORIZONTAL ELECTRIC PUMPS WITH NON-RETURN VALVE ON SUCTION SIDE

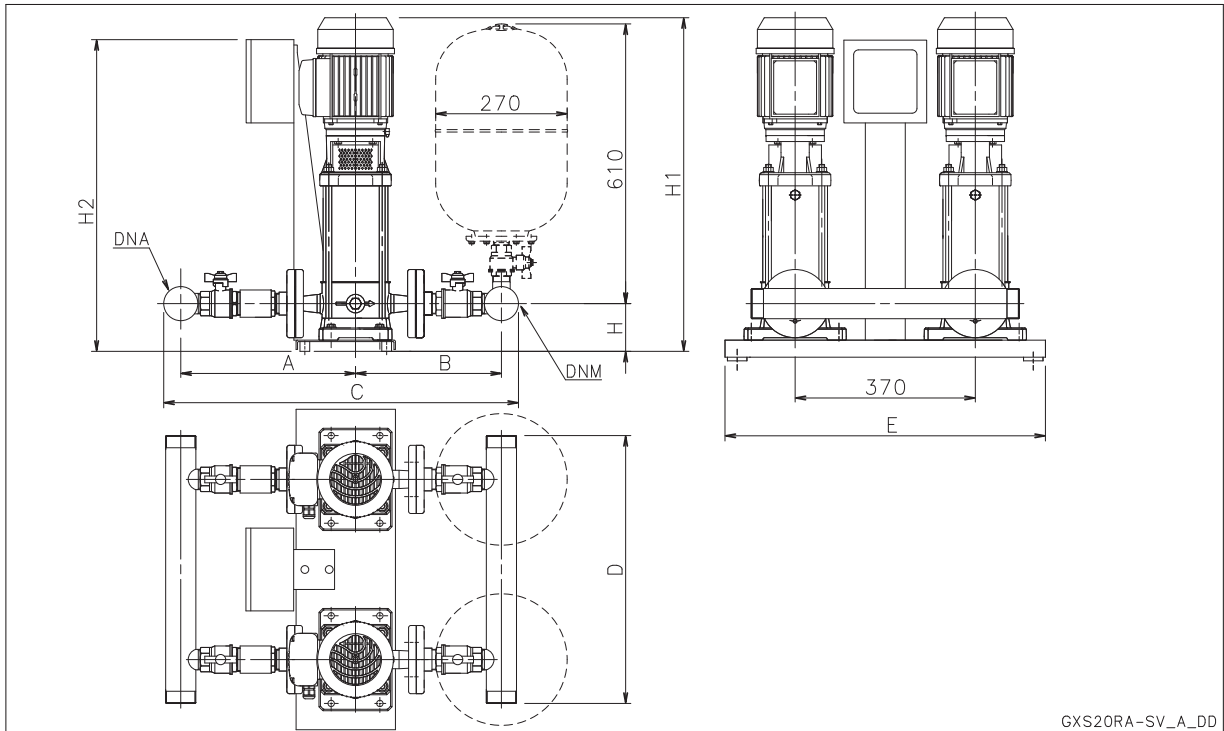


GTKS 20RA	DNA	DNM	A		B	C		H	H1		H2
			STD / UE	A304		STD / UE	A304		STD / UE	A304	
BG7	R 2"	R 1 1/2"	284	429	311	625	770	189	371	454	640
BG11	R 2"	R 1 1/2"	284	429	356	670	815	189	371	454	640
2HM3ZT	R 2"	R 1 1/2"	311	456	249	590	735	149	330	413	640
2HM5ZT	R 2"	R 1 1/2"	361	506	249	640	785	149	330	413	640
2HM7ZT	R 2"	R 1 1/2"	386	531	263	679	824	149	330	413	640
4HM5ZT	R 2"	R 1 1/2"	336	481	249	615	760	149	330	413	640
4HM9ZT	R 2"	R 1 1/2"	386	531	308	724	869	141	322	405	640
CEA80/5	R 2"	R 1 1/2"	266	411	274	570	715	132	369	452	640
CEA120/5	R 2"	R 2"	266	411	274	570	715	132	375	458	640
CEA210/3	R 2" 1/2	R 2 1/2"	338	467	331	707	836	132	398	483	640
CA70/33	R 2"	R 1 1/2"	346	491	252	628	773	128	383	466	640
CA70/44	R 2"	R 1 1/2"	346	491	252	628	773	128	383	466	640

gts20ra\_or\_b\_td



## GTKS20 RA SERIES OF 2-PUMP PRESSURE BOOSTER UNITS VERTICAL ELECTRIC PUMPS WITH NON-RETURN VALVE ON SUCTION SIDE



GXS20RA-SV\_A\_DD

GTKS 20RA	DNA	DNM	A		B		C		D	E	H	H1	H2
			UE	A304	UE	A304	UE	A304					
SV206F07T	R 2"	R 2"	320	372	252	301	632	733	610	658	98	644	640
SV208F11T	R 2"	R 2"	320	372	252	301	632	733	610	658	98	731	640
SV404F07T	R 2"	R 2"	335	431	265	311	660	802	610	658	98	594	640
SV407F11T	R 2"	R 2"	335	431	265	311	660	802	610	658	98	706	640

gtps20ra\_sv\_a\_td

The standard versions of GTKS20 units with vertical electric pumps feature stainless steel manifolds and are of the same size as the EU version.