

SINGLEBOX

DOUBLEBOX SERIES

PREFABRICATED LIFTING STATIONS WITH ENTRAINED SOLIDS WASTE WATER

The ideal solution when domestic wastewater must be delivered to sewer mains located at a higher level, or where gravity drainage is not possible.



SPECIFICATIONS

- The pumping station, installed in the basement or buried outdoors, collects domestic effluent (toilet included) without any need for initial treatment.
- **SINGLEBOX** consists of a **230-litre** polyethylene basin housing a vortex (DLV) or single-channel (DL) sewage pump, a control box and float. It is a complete pumping station equipped with a lowering device.
- Where greater capacity is required use **DOUBLEBOX**, a prefabricated lifting station which has **twice the capacity of Biobox (450 litres)** and is designed to house two pumps. The operating principle is the same but it produces higher heads.
- The system consists of:
 - 230-litre** (450 for Doublebox) polyethylene basin with screw down lid.
 - Cable glands** for power supply cords (and float) and installation of cables under the cover.
 - 2"** delivery **pipe**.
 - Six inlets** for discharge or ventilation.
 - DOMO or DL submersible pump**, vortex or channel type.
 - Lowering device**.
 - Vent** or emergency drain **plug**.
 - Control box**.
- IP 68 protection.
- Accessories available on request:
 - Pump kit available to be put into box
 - Ball valve
 - Alarm float.
- For operating characteristics (delivery – head) see DOMO and DL pump section in this catalogue.

TECHNICAL DATA

SINGLEBOX		CHARACTERISTICS					FEATURED COMPONENTS			ACCESSORIES				
		KW	HP	Q max (l/min)	H max (m)	Impeller type	Control panel QDR	Float switch pre-assembled on pump	Float switch (5-m cable)	Non-return valve	Emergency float switch	Siren	Flashing light	
FIXED PVC PIPE FITTINGS	SINGLE-PHASE	SINGLEBOX DOMO 7	0.55	0.75	320	10.7	TWIN CHANNEL		X		X	Check with sales network		
		SINGLEBOX DOMO 7VX	0.55	0.75	260	9.1	VORTEX		X		X			
		SINGLEBOX DOMO 10	0.75	1	500	10.1	TWIN CHANNEL		X		X			
		SINGLEBOX DOMO 10VX	0.75	1	400	7.7	VORTEX		X		X			
		SINGLEBOX DOMO 15	1.1	1.5	600	12.7	TWIN CHANNEL		X		X			
		SINGLEBOX DOMO 15VX	1.1	1.5	450	9.1	VORTEX		X		X			
	THREE-PHASE	SINGLEBOX DOMO 7T	0.55	0.75	320	10.7	TWIN CHANNEL	X		X	X	X	X	X
		SINGLEBOX DOMO 7VXT	0.55	0.75	260	9.1	VORTEX	X		X	X	X	X	X
		SINGLEBOX DOMO 10T	0.75	1	500	10.1	TWIN CHANNEL	X		X	X	X	X	X
		SINGLEBOX DOMO 10VXT	0.75	1	400	7.7	VORTEX	X		X	X	X	X	X
		SINGLEBOX DOMO 15T	1.1	1.5	600	12.7	TWIN CHANNEL	X		X	X	X	X	X
		SINGLEBOX DOMO 15VXT	1.1	1.5	450	9.1	VORTEX	X		X	X	X	X	X
DROP CABLE	SINGLE-PHASE	SINGLEBOX DOMO 10	0.75	1	500	10.1	TWIN CHANNEL		X		X	Check with sales network		
		SINGLEBOX DOMO 10VX	0.75	1	400	7.7	VORTEX		X		X			
		SINGLEBOX DOMO 15	1.1	1.5	600	12.7	TWIN CHANNEL		X		X			
		SINGLEBOX DOMO 15VX	1.1	1.5	450	9.1	VORTEX		X		X			
	THREE-PHASE	SINGLEBOX DOMO 10T	0.75	1	500	10.1	TWIN CHANNEL	X		X	X	X	X	X
		SINGLEBOX DOMO 10VXT	0.75	1	400	7.7	VORTEX	X		X	X	X	X	X
		SINGLEBOX DOMO 15T	1.1	1.5	600	12.7	TWIN CHANNEL	X		X	X	X	X	X
		SINGLEBOX DOMO 15VXT	1.1	1.5	450	9.1	VORTEX	X		X	X	X	X	X
	SINGLE-PHASE	SINGLEBOX DOMO 20T	1.5	2	670	14.8	TWIN CHANNEL	X		X	X	X	X	X
		SINGLEBOX DOMO 20VXT	1.5	2	550	11	VORTEX	X		X	X	X	X	X
		SINGLEBOX DLM 80	0.6	0.8	350	7.6	SINGLE CHANNEL		X		X	Check with sales network		
		SINGLEBOX DLM 90	0.6	0.8	450	9.7	SINGLE CHANNEL		X		X			
SINGLEBOX MINI VORTEX M	0.6	0.8	300	7.2	VORTEX		X		X					
SINGLEBOX DLM 109	1.1	1.5	600	18.3	SINGLE CHANNEL		X		X					
THREE-PHASE	SINGLEBOX DLV M 100	1.1	1.5	500	10.6	VORTEX		X		X				
	SINGLEBOX DL 80	0.6	0.8	350	7.6	SINGLE CHANNEL	X		X	X	X	X	X	
	SINGLEBOX DL 90	0.6	0.8	450	9.7	SINGLE CHANNEL	X		X	X	X	X	X	
	SINGLEBOX MINI VORTEX	0.6	0.8	300	7.2	VORTEX	X		X	X	X	X	X	
	SINGLEBOX DL 105	1.1	1.5	500	14.1	SINGLE CHANNEL	X		X	X	X	X	X	
	SINGLEBOX DL 109	1.1	1.5	600	18.3	SINGLE CHANNEL	X		X	X	X	X	X	
	SINGLEBOX DLV 100	1.1	1.5	500	10.6	VORTEX	X		X	X	X	X	X	
	SINGLEBOX VORTEX	1.1	1.5	500	8.4	VORTEX	X		X	X	X	X	X	
	SINGLEBOX DL 125	1.5	2	700	21.9	SINGLE CHANNEL	X		X	X	X	X	X	
	SINGLEBOX DLV 115	1.5	2	600	13.1	VORTEX	X		X	X	X	X	X	

sbox_models_a_sc

Notes	Single-phase model pumps come with start capacitor, overload protection, float switch and cord with plug. Versions with control panel and accessories are available on request
--------------	---

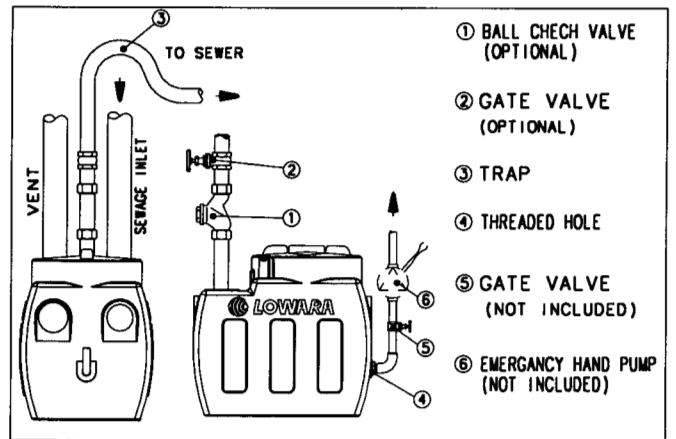
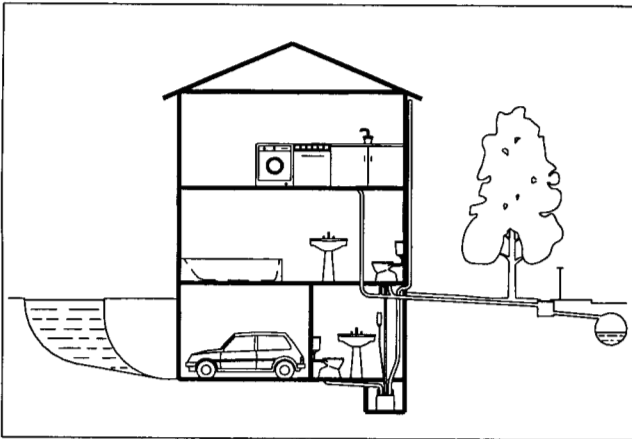
TECHNICAL DATA

DOUBLEBOX		CHARACTERISTICS					FEATURED COMPONENTS			ACCESSORIES							
		kw	HP	Q max (l/min)	H max (m)	Impeller type	* Control panel	Float switch pre-assembled on pump	Float switch (5-m cable)	Non-return valve	Emergency float switch	Siren	flashing light				
DATA REFERS TO 2 PUMPS RUNNING SIMULTANEOUSLY		FIXED PVC PIPE FITTINGS	SINGLE-PHASE		2x0.55	2x0.75	640	10.7	TWIN CHANNEL		X		X	Check with sales network			
			2x0.55	2x0.75	520	9.1	VORTEX		X		X						
			2x0.75	2x1	1000	10.1	TWIN CHANNEL		X		X						
			2x0.75	2x1	800	7.7	VORTEX		X		X						
			2x1.1	2x1.5	1200	12.7	TWIN CHANNEL		X		X						
			2x1.1	2x1.5	900	9.1	VORTEX		X		X						
			THREE-PHASE		2x0.55	2x0.75	640	10.7	TWIN CHANNEL	X		X	X	X	X	X	X
			2x0.55	2x0.75	520	9.1	VORTEX	X		X	X	X	X	X	X		
			2x0.75	2x1	1000	10.1	TWIN CHANNEL	X		X	X	X	X	X	X		
			2x0.75	2x1	800	7.7	VORTEX	X		X	X	X	X	X	X		
			2x1.1	2x1.5	1200	12.7	TWIN CHANNEL	X		X	X	X	X	X	X		
			2x1.1	2x1.5	900	9.1	VORTEX	X		X	X	X	X	X	X		
		SINGLE-PHASE		2x0.75	2x1	1000	10.1	TWIN CHANNEL		X		X	Check with sales network				
		2x0.75	2x1	800	7.7	VORTEX		X		X							
		2x1.1	2x1.5	1200	12.7	TWIN CHANNEL		X		X							
		2x1.1	2x1.5	900	9.1	VORTEX		X		X							
		THREE-PHASE		2x0.75	2x1	1000	10.1	TWIN CHANNEL	X		X	X	X	X	X		
		2x0.75	2x1	800	7.7	VORTEX	X		X	X	X	X	X	X			
		2x1.1	2x1.5	1200	12.7	TWIN CHANNEL	X		X	X	X	X	X	X			
		2x1.1	2x1.5	900	9.1	VORTEX	X		X	X	X	X	X	X			
2x1.5	2x2	1340	14.8	TWIN CHANNEL	X		X	X	X	X	X	X					
2x1.5	2x2	1100	11	VORTEX	X		X	X	X	X	X	X					
SINGLE-PHASE		2x0.6	2x0.8	700	7.6	SINGLE CHANNEL	X		X	X	X	X	X				
2x0.6	2x0.8	900	9.7	SINGLE CHANNEL	X		X	X	X	X	X	X					
2x0.6	2x0.8	600	7.2	VORTEX	X		X	X	X	X	X	X					
2x1.1	2x1.5	1200	18.3	SINGLE CHANNEL	X		X	X	X	X	X	X					
2x1.1	2x1.5	1000	10.6	VORTEX	X		X	X	X	X	X	X					
THREE-PHASE		2x0.6	2x0.8	700	7.6	SINGLE CHANNEL	X		X	X	X	X	X				
2x0.6	2x0.8	900	9.7	SINGLE CHANNEL	X		X	X	X	X	X	X					
2x0.6	2x0.8	600	7.2	VORTEX	X		X	X	X	X	X	X					
2x1.1	2x1.5	1000	14.1	SINGLE CHANNEL	X		X	X	X	X	X	X					
2x1.1	2x1.5	1200	18.3	SINGLE CHANNEL	X		X	X	X	X	X	X					
2x1.1	2x1.5	1000	10.6	VORTEX	X		X	X	X	X	X	X					
2x1.1	2x1.5	1000	8.4	VORTEX	X		X	X	X	X	X	X					
2x1.5	2x2	1400	21.9	SINGLE CHANNEL	X		X	X	X	X	X	X					
2x1.5	2x2	1200	13.1	VORTEX	X		X	X	X	X	X	X					

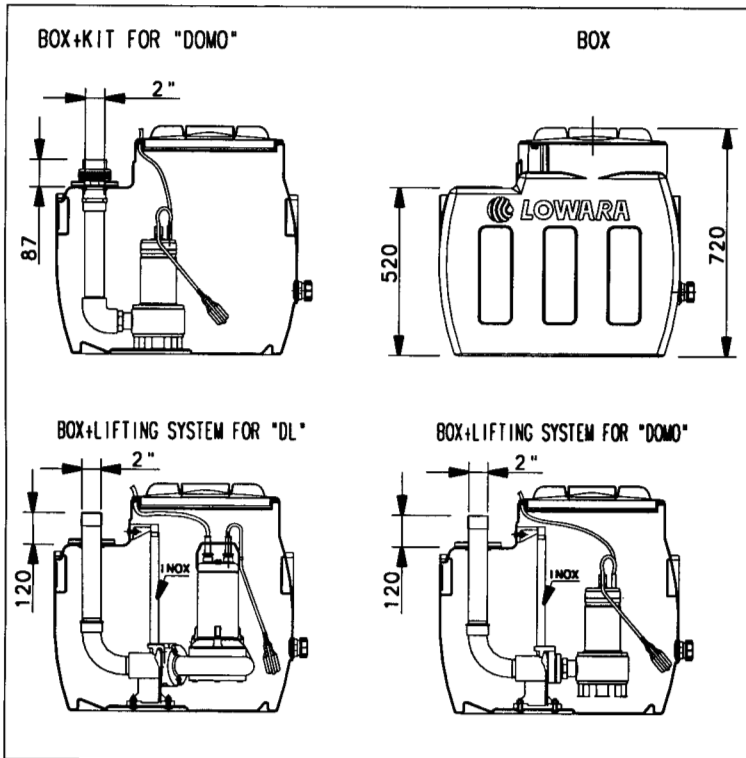
dbox_models_a_sc

Notes	Single-phase model pumps come with start capacitor, overload protection, float switch and cord with plug.
	Versions with control panel and accessories are available on request. * The panel for the single-phase versions is 9QDRM2. The panel for the three-phase versions is

APPLICATION EXAMPLES



VERSIONS



MODELS

