



### Z-ZR 8" Series

Multi-stage centrifugal submersible pumps for clean water in 8" wells. Made of AISI 304 or DUPLEX stainless steel.

This robust and lightweight pump is easy to disassemble and, in its standard configuration, resists corrosion in non-aggressive atmospheres. The guide bearings and wear rings assure high resistance to wear and constantly reliability of hydraulic characteristics over time. Can be coupled to all NEMA-standard motors.

#### SPECIFICATIONS

**Delivery:** up to 180 m<sup>3</sup>/h

**Head:** up to 550 metres

**Power supply:** three-phase  
50 and 60 Hz

**Three-phase version:** 380-415 V;  
overload protection to be provided by  
user and installed in the control box (see  
control box section)

**Power:** 5.5 kW to 150 kW

**Maximum pump overall  
diameter (cable cover included):**  
198 mm

**Water temperature:** 0°C to +30°C

**Maximum permissible quantity  
of suspended sand:** 100 g/m<sup>3</sup>

#### MATERIALS

**Delivery head/valve casing:**  
Stainless steel

**Diffuser:** Stainless steel

**Impeller:** Stainless steel

**Taperlock:** Duplex stainless steel

**Suction screen:** Stainless steel

**Pump shaft:** Stainless steel

**ZR version:** cast parts in DUPLEX

#### APPLICATIONS

- Water distribution in civil and industrial systems
- Pressure boosting
- Irrigation
- Fire-fighting
- Mining industry
- Groundwater level control



For a complete list of technical information, consult [www.lowara.com](http://www.lowara.com)

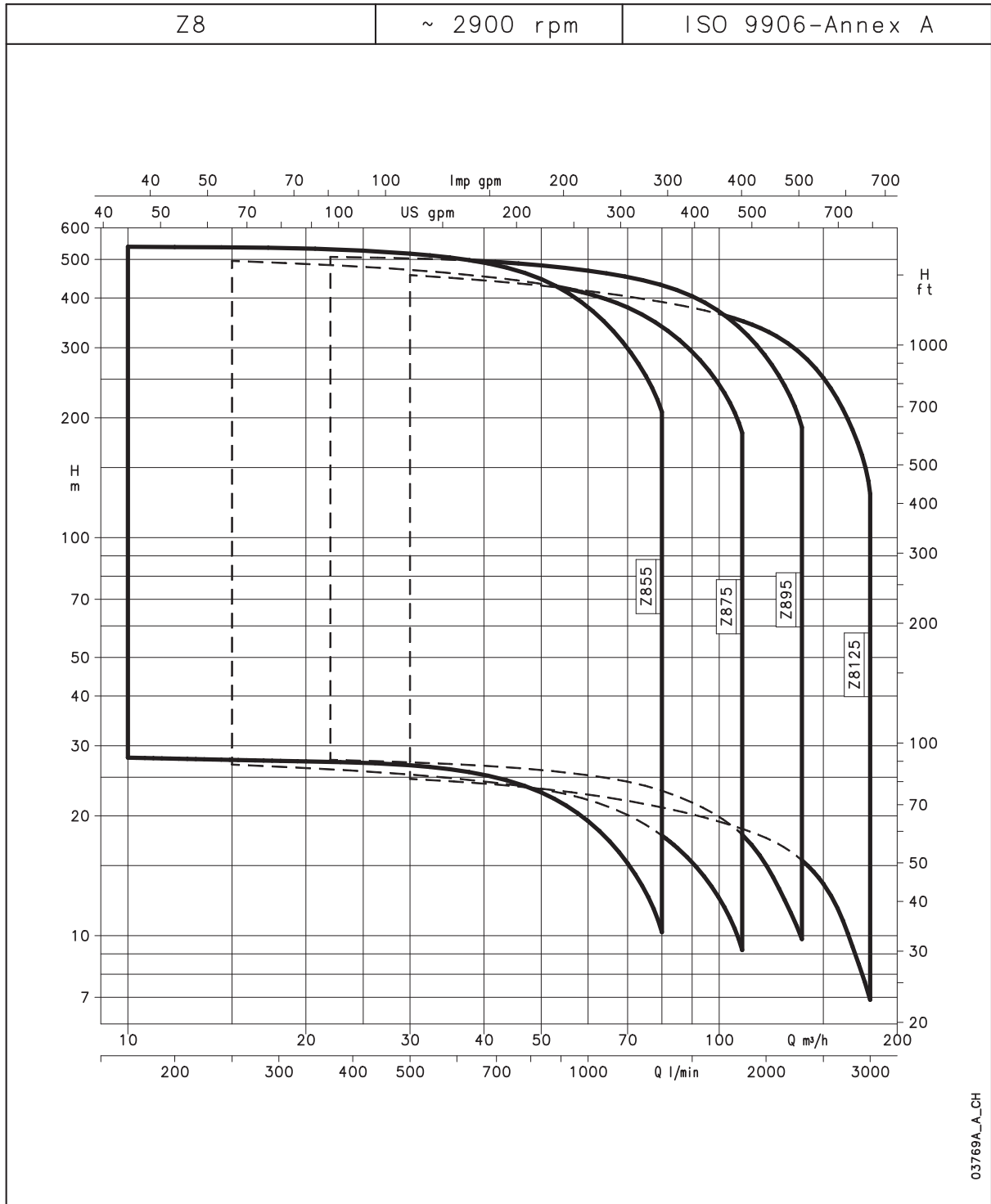
*Engineered for life*



## General Catalogue

### Z8 SERIES

### HYDRAULIC PERFORMANCE TABLE AT 50 Hz

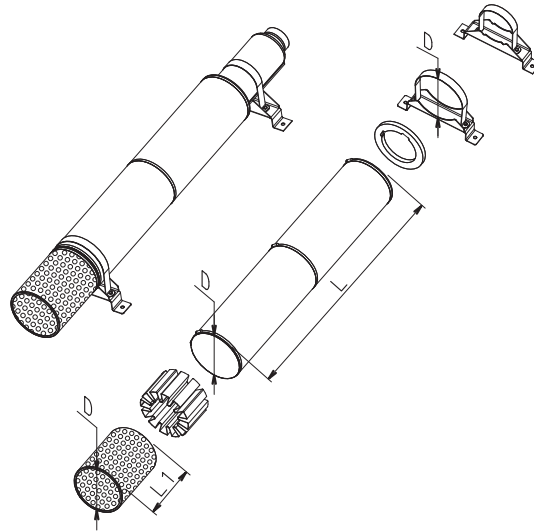


*Engineered for life*



### COOLING SHROUDS

01890\_B\_DD



### Z8 SERIES PUMP AND 6", 8" AND 10" MOTOR SELECTION TABLE

PUMP TYPE	MOTOR TYPE				COOLING SET SHROUD (D x L)	COOLING SET FILTER (D x L1)	COOLING SET BRACKETS (D)
	L6C	L6W	L8W	L10W			
Z855 Z875	5,5	5,5			D225X1000 Z8-6	D225X192	D225 - 2PZ Z8-6
	7,5	7,5					
	9,3	9,3					
	11	11					
	-	13			D225X1250 Z8-6	D225X192	D225 - 2PZ Z8-6
	15	15					
	18,5	18,5					
	22	22					
-	26			D225X1500 Z8-6	D225X192	D225 - 3PZ Z8-6	
30	30						
37	37						
Z895 Z8125	7,5	7,5			D256X1000 Z8-6	D256X325	D256 - 2PZ Z8-6
	11	11					
	-	13					
	15	15					
	18,5	18,5			D256X1250 Z8-6	D256X325	D256 - 2PZ Z8-6
	22	22					
	-	26					
	30	30					
37	37			D256X1500 Z8-6	D256X325	D256 - 3PZ Z8-6	
Z855 Z875			30		D256X1500 Z8-8	D256X325	D256 - 3PZ Z8-8
			37				
			45				
			52				
			55				
			60		D256X1750 Z8-8	D256X325	D256 - 3PZ Z8-8
			67				
			75				
			83				
			93				
Z895 Z8125					D285X1500 Z8-8	D285X385	D285 - 3PZ Z8-8
			30				
			37				
			45				
			52				
			55		D285X1750 Z8-8	D285X385	D285 - 3PZ Z8-8
			60				
			67				
			75				
			83				
Z855 Z875					D285X2000 Z8-8	D285X385	D285 - 3PZ Z8-8
			93				
			110				
			130				
			150				
Z895 Z8125					D330X2250 Z8-10	D330X385	D330 - 3PZ Z8-10
			93				
			110				
			130				
			150				

Z8\_kit-ra150\_b\_1a

*Engineered for life*